

ENFOLD
F A Ç A D E

RAINSCREEN



—
SFO
GRAND HYATT
SAN FRANCISCO

—
BY BÔK MODERN

ENFOLDFACADE.COM

PATENT# 9,903,122, 10,190,320 - 2018

RAINSCREEN

- Introduction
- 2D Patterns
- 3D Patterns
- Pre Engineered Sizing
- Installation Examples
- Installation Methods
- Typical Details



ABOUT BOK MODERN

We are a team of architects, industrial designers, engineers and contractors. We understand your vision and facilitate your project from concept to delivery.

We provide elegant, structurally integrated panel solutions for balcony guardrails, fences, rain screens, canopies, parking garage screens, green screens and much more.

WHY BÖK MODERN RAINSCREENS?

BÖK Modern's patented Rainscreen system is like no other on the market. Our Rainscreen is a non-flammable, solid aluminum, single skin panel; not a composite. The folded crisp edge result in a super flat face. It can be solid, bas-relief, or custom laser cut to your specifications in aluminum or weathering steel. We can also custom form to a large variety of 3-dimensional shapes. We also offer a 12 and 14 gauge weathering steel option as well as stainless steel in a variety of surface treatments.

Standard finishes on aluminum include Kynar, in unlimited colors, powder coating and anodizing. We offer specialty coatings as well.

Our patented tab and slot system has an integrated spacing feature to space the panels without using shims to ensure a quick and easy install. When installed directly over a suitable substrate (i.e. plywood), our unitized panel system generally requires no additional furring or other secondary support members. Reducing labor costs in the field means a higher quality of panel for your project budget. When installed over insulation or other such substrate, our panels are attached directly to standard 'z's' or hat channels.

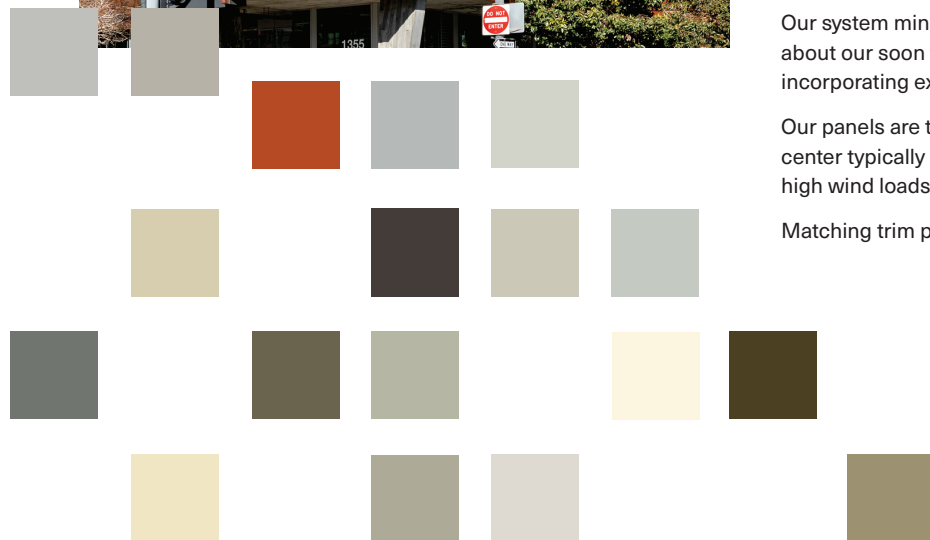
All of our panels are precision manufactured to your specifications for your specific job. All of your panels are modeled 3-dimensionally in Solidworks and fitted before fabrication. All panels are crated in solid wood crates and each panel has laser cut part numbers to insure quick identification during install.

BÖK provides in-house engineering for our panels with loads for your Engineer of Record to provide the appropriate backing structure.

PATENT# 9.903.122 -2018

RAINSCREEN

- Introduction
- 2D Patterns
- 3D Patterns
- Pre Engineered Sizing
- Installation Examples
- Installation Methods
- Typical Details



TECHNICAL INFORMATION

Our panels are a closed joint rain screening system with dry (non-sealed) joints. The panels and attaching hardware are provided by BÖK Modern. Appropriate air & water barriers to be provided by others. Recommendations include:

Liquid applied:

- GE Elemax 2600 (in service temperature up to 300° F)
- Cat5 (in service temperature up to 300° F)
- Dow Defendair 200 (in service temperature up to 300° F)
- GCP (Perm-A-Barrier VPL max in service temp of 160° F)
- Soprema (Sopraseal LM)

Sheet applied options:

- GCP (Perm-A-Barrier High Temperature in-service temperature up to 180° F)
- Soprema (Sopraseal Stick VP in-service temperature up to 185° F)
- Vaproshield Revealshield SA is a black UV stable self-adhered membrane that can be used in open jointed rainscreen applications. In service temperature up to 225° F.

Aluminum panel gauges include .060, .080 and .125. See the following tables for pre-engineered panels sizing

Our system minimizes thermally broken z-girts (if required). Ask us about our soon to be released integrated furring system for assemblies incorporating exterior insulation.

Our panels are typically attached with #12 sheet metal screws 16" on center typically on the long sides. Additional screws may be required in high wind loads and/or large panels.

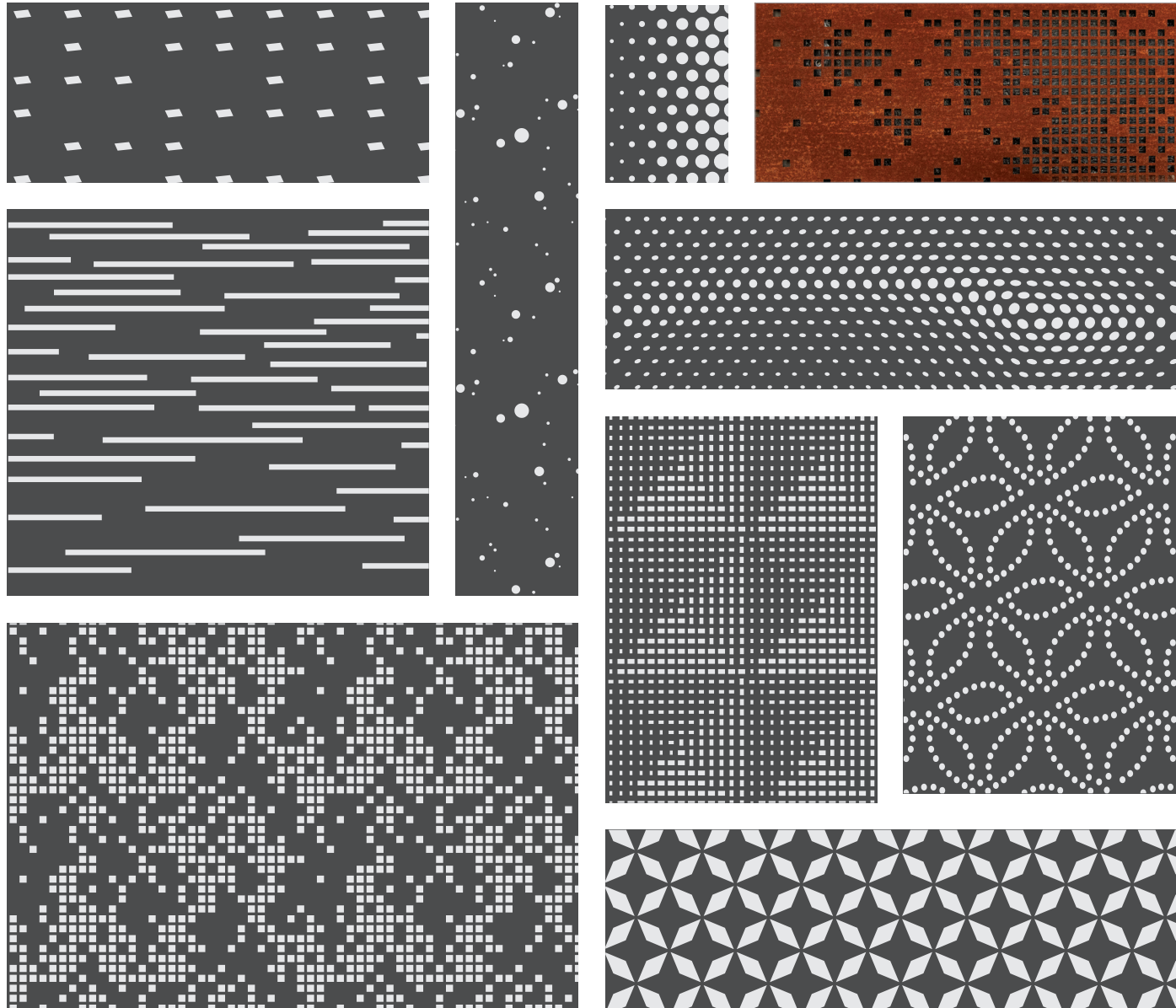
Matching trim pieces available upon request.

2D PATTERNS

With a UV stable air and moisture barrier, our panels can be custom perforated to your specifications.

RAINSCREEN

- Introduction
- **2D Patterns**
- 3D Patterns
- Pre Engineered Sizing
- Installation Examples
- Installation Methods
- Typical Details



BY BÖK MODERN

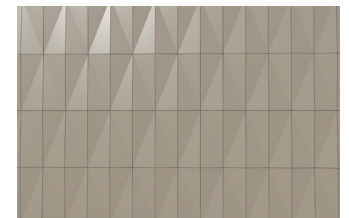
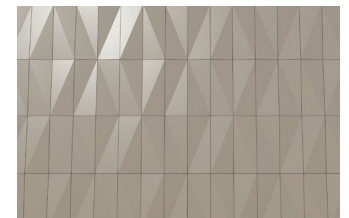
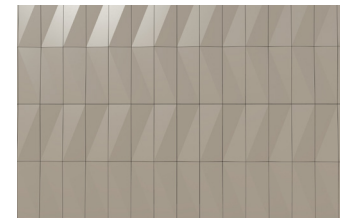
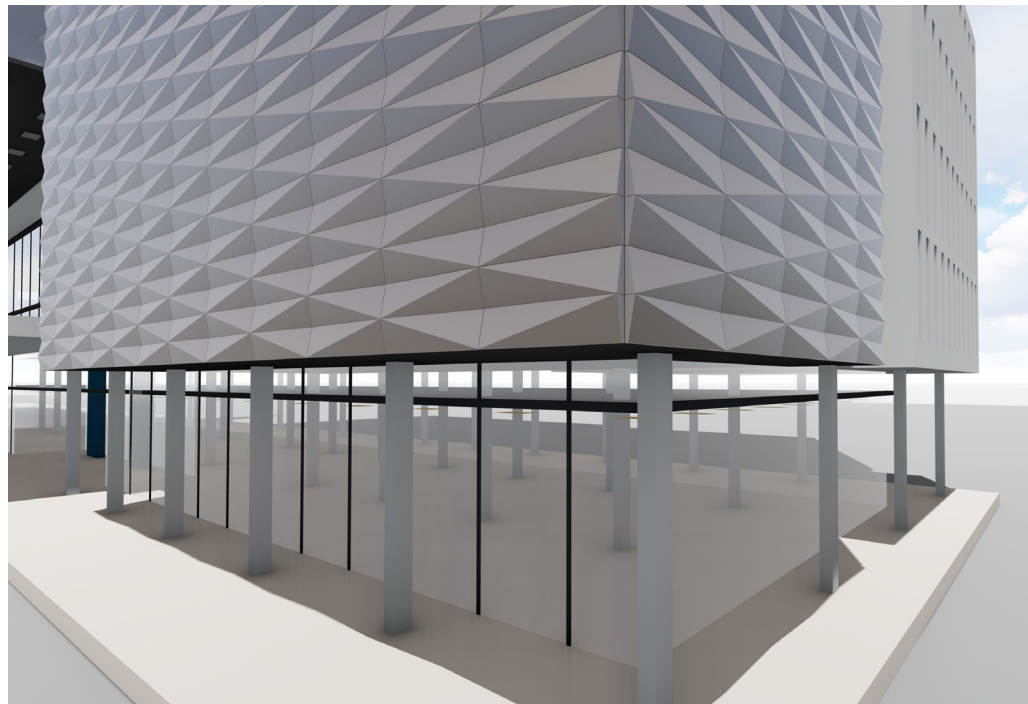
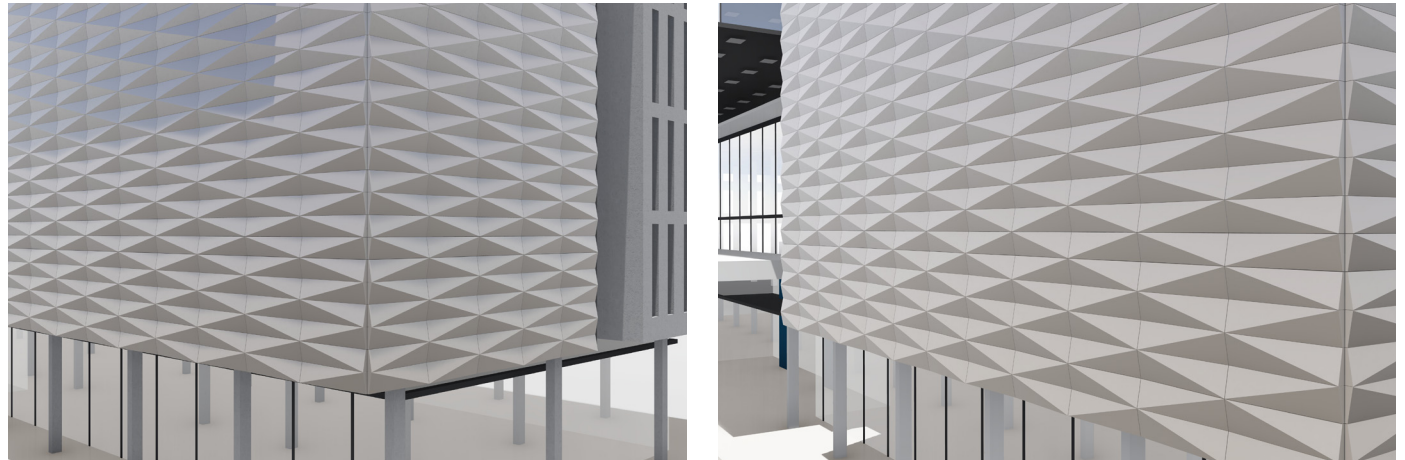
ENFOLDFAÇADE.COM

3D PATTERNS

Our panels can also be custom formed for 3-dimensional applications.

RAINSCREEN

- Introduction
- 2D Patterns
- **3D Patterns**
- Pre Engineered Sizing
- Installation Examples
- Installation Methods
- Typical Details



BY BÖK MODERN

ENFOLDFACADE.COM

RAINSCREEN

BOK MODERN ALUMINUM PRE-ENGINEERED RAINSCREEN PANEL DESIGN TABLES

Based on maximum wind loading (psf)

- Introduction
- 2D Patterns
- 3D Patterns
- **Pre Engineered Sizing**
- Installation Examples
- Installation Methods
- Typical Details

PANEL WIDTH (INCHES)	54	100	100	100	100	60	40	20	10	10	10	10	10	10	10	10	10	10	10	10	10	10	0	0	
	48	100	100	100	100	70	40	20	20	10	10	10	10	10	10	10	10	10	10	10	10	10	10	10	
	42	100	100	100	100	70	40	20	20	20	20	20	20	20	20	20	20	20	20	20	10	10	10	10	
	36	100	100	100	100	70	40	40	40	40	30	30	30	30	30	30	30	30	30	30	20	20	20	20	
	30	100	100	100	100	80	70	70	70	60	60	60	50	50	50	50	50	50	40	40	40	40	40	40	
	24	100	100	100	100	100	100	100	100	100	100	100	100	100	90	90	90	90	80	80	80	80	80	80	
	18	100	100	100	100	100	100	100	100	100	100	100	100	100	100	100	100	100	100	100	100	100	100	100	
	12	100	100	100	100	100	100	100	100	100	100	100	100	100	100	100	100	100	100	100	100	100	100	100	
	06	100	100	100	100	100	100	100	100	100	100	100	100	100	100	100	100	100	100	100	100	100	100	100	
		06	12	18	24	30	36	42	48	54	60	66	72	78	84	90	96	102	108	114	120	126	132	138	144
		PANEL LENGTH (INCHES)																							

NOTES: These table are for our pre-engineered panels and are based on our standard 2" deep panel. Panel sizes can be modified by varying depth, fastener type, etc. Please ask Bok Modern about job specific engineering.

RAINSCREEN

- Introduction
- 2D Patterns
- 3D Patterns
- Pre Engineered Sizing
- Installation Examples
- Installation Methods
- Typical Details



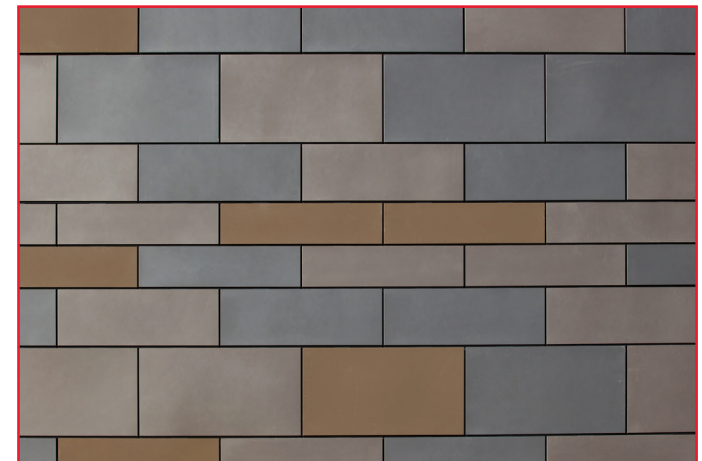
DIRECT MOUNT OVER WOOD FRAMING & SHEATHING



HAT CHANNEL OVER EXTERIOR INSTALLATION



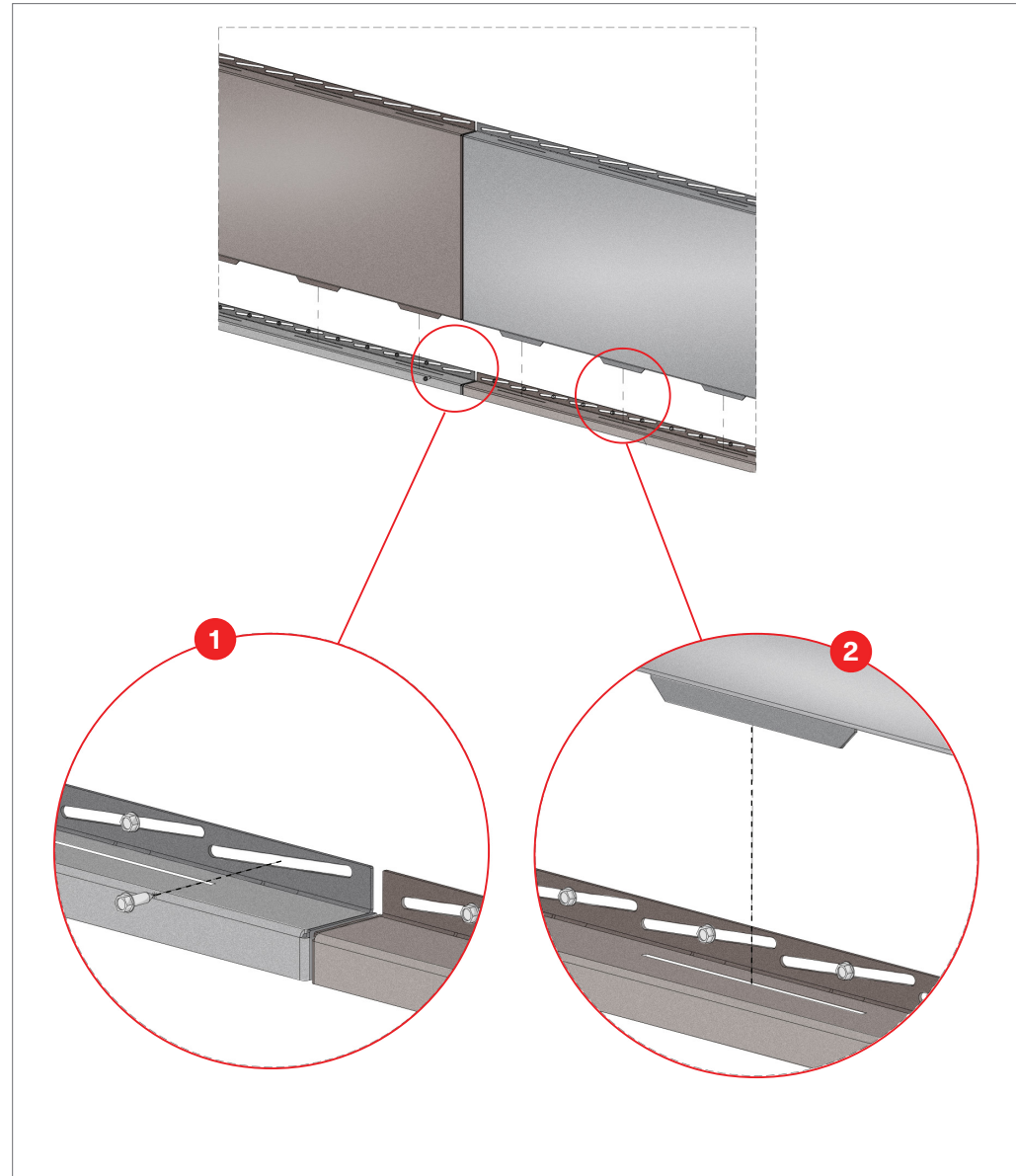
Z CHANNEL OVER EXTERIOR BATT INSTALLATION



EXAMPLES PATTERN AND COLOR VARIATION

RAINSCREEN

- Introduction
- 2D Patterns
- 3D Patterns
- Pre Engineered Sizing
- Installation Examples
- Installation Methods
- Typical Details



STEP 1

Attach starter strip to structure and level.

STEP 2

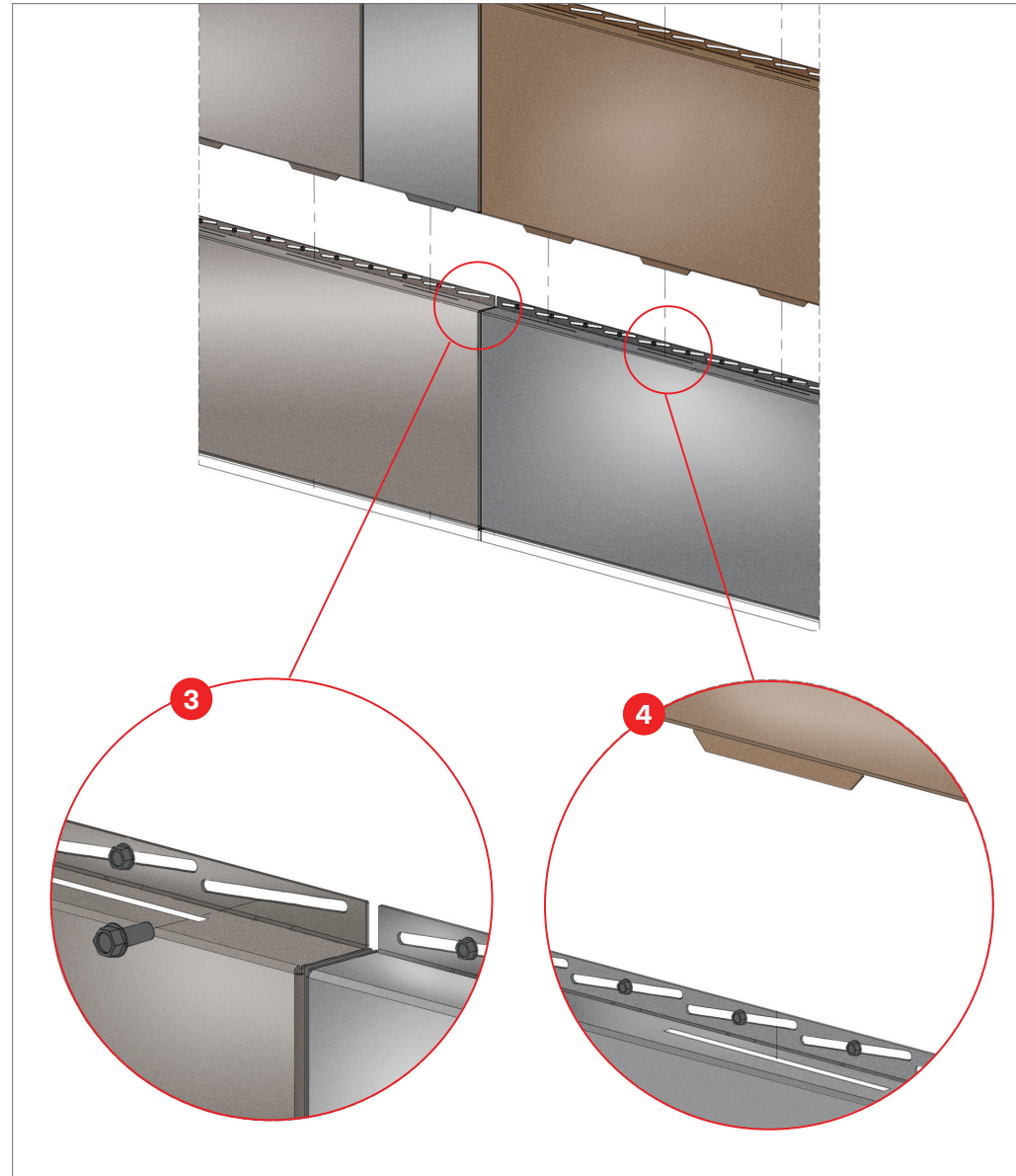
Place tabs into slots.

RAINSCREEN

- Introduction
- 2D Patterns
- 3D Patterns
- Pre Engineered Sizing
- Installation Examples
- Installation Methods
- Typical Details

BY BÔK MODERN

ENFOLDFACADE.COM



STEP 3

Attach panel to structure and check levelness.

STEP 4

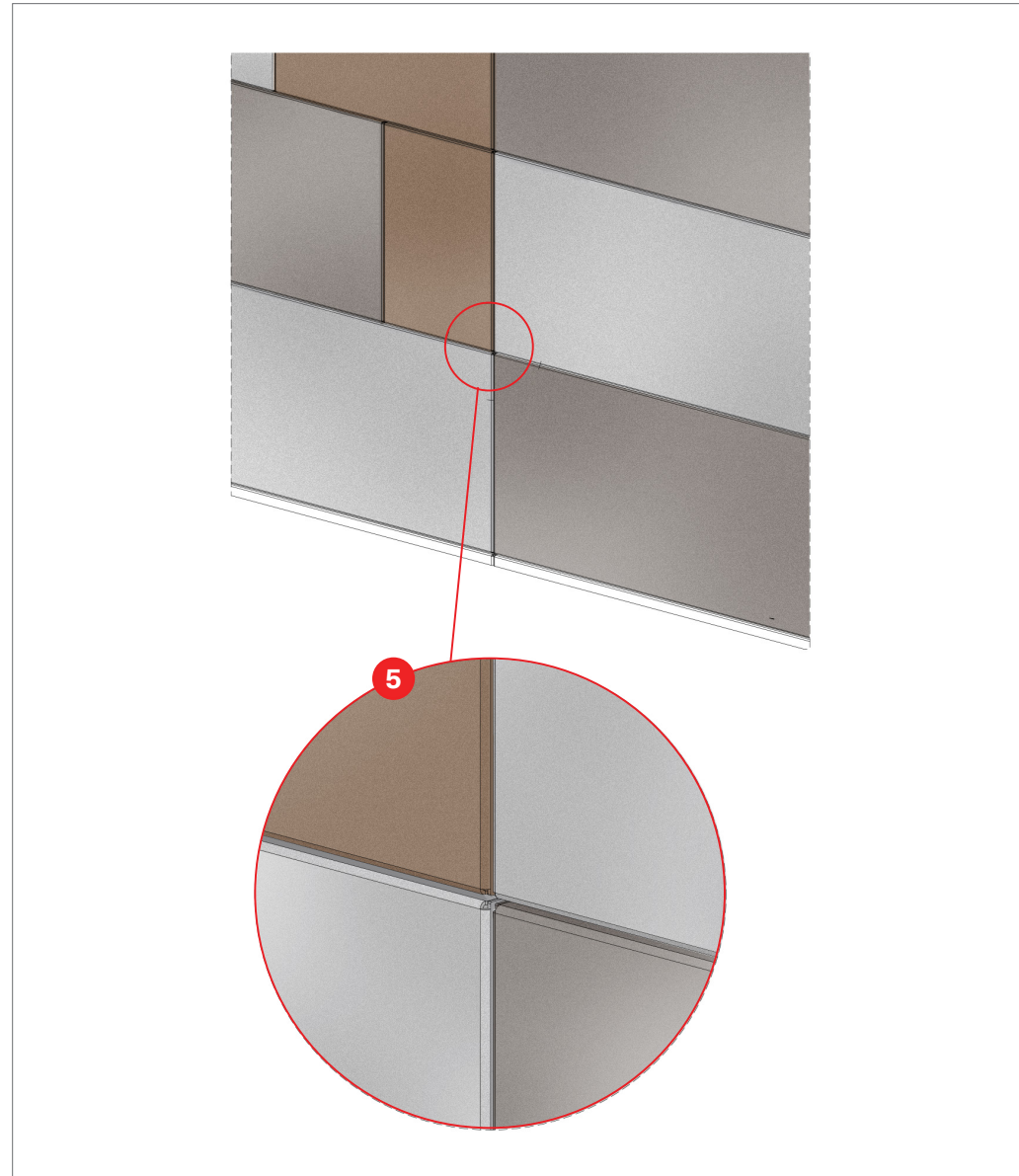
Repeat step 2

RAINSCREEN

- Introduction
- 2D Patterns
- 3D Patterns
- Pre Engineered Sizing
- Installation Examples
- Installation Methods
- Typical Details

BY BÔK MODERN

ENFOLDFACADE.COM



STEP 5

Continue with next row checking alignments.

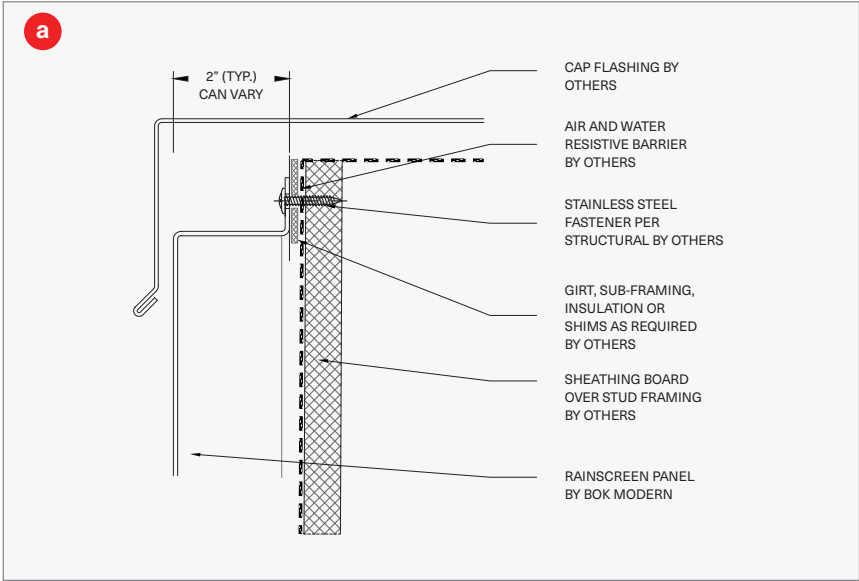
RAINSCREEN

- Introduction
- 2D Patterns
- 3D Patterns
- Pre Engineered Sizing
- Installation Examples
- Installation Methods
- **Typical Details**

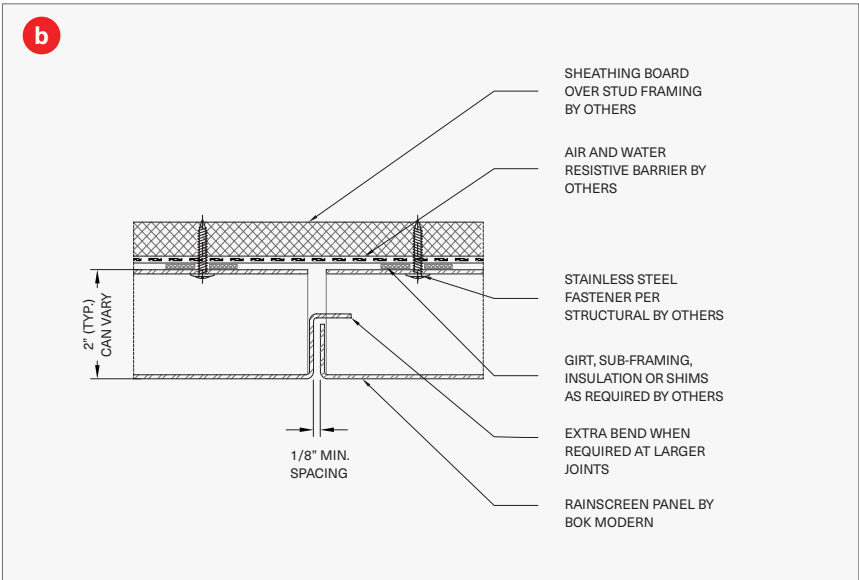
BY BOK MODERN

ENFOLDFAÇADE.COM

TYPICAL DETAILS



PANEL AT CAP FLASHING



VERTICAL JOINT

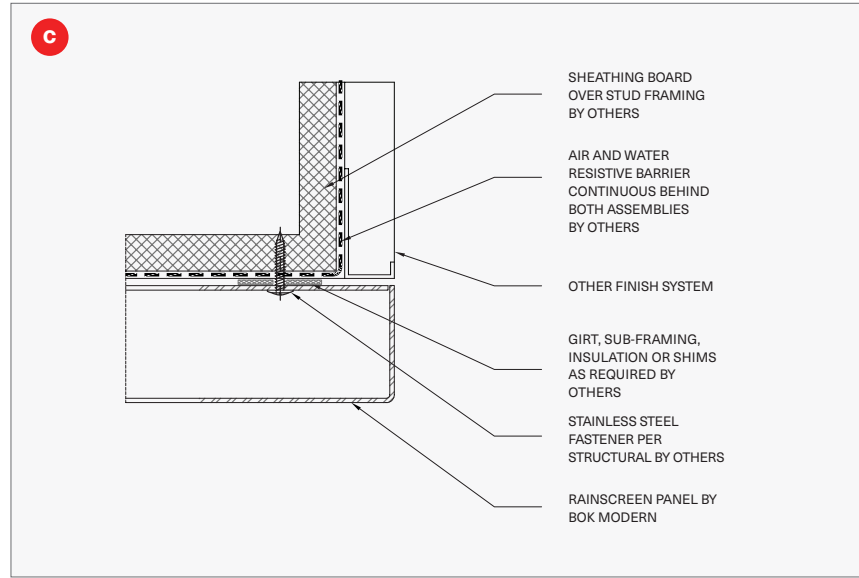
RAINSCREEN

- Introduction
- 2D Patterns
- 3D Patterns
- Pre Engineered Sizing
- Installation Examples
- Installation Methods
- **Typical Details**

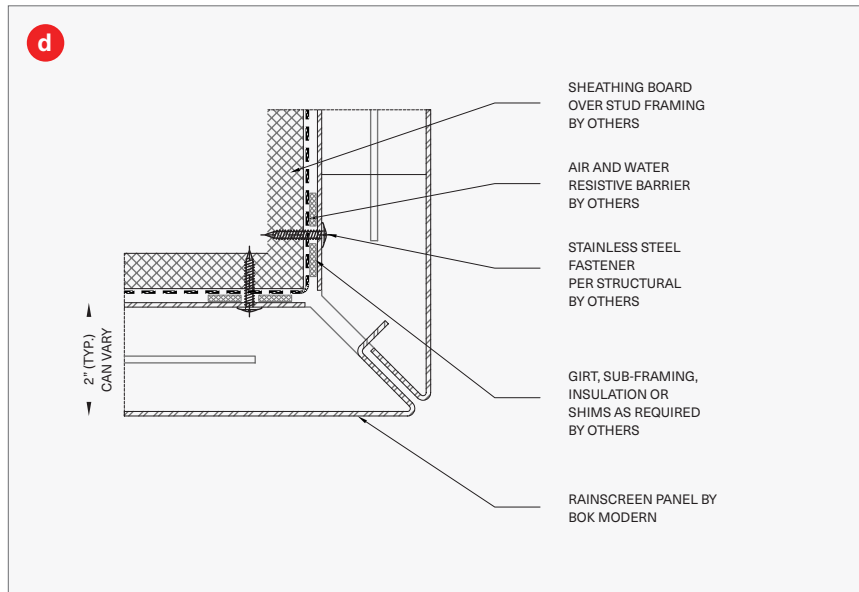
BY BOK MODERN

ENFOLDFAÇADE.COM

TYPICAL DETAILS



END CONDITION



MITERED CORNER

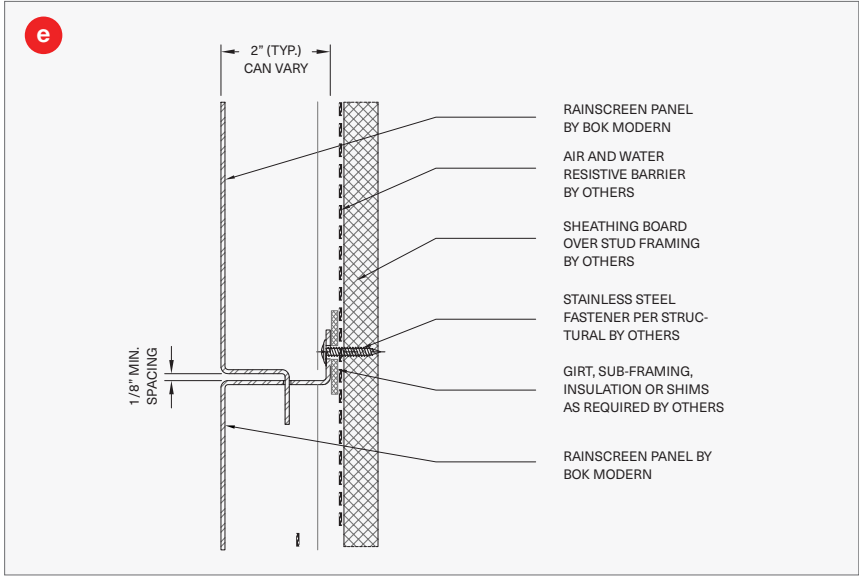
RAINSCREEN

- Introduction
- 2D Patterns
- 3D Patterns
- Pre Engineered Sizing
- Installation Examples
- Installation Methods
- **Typical Details**

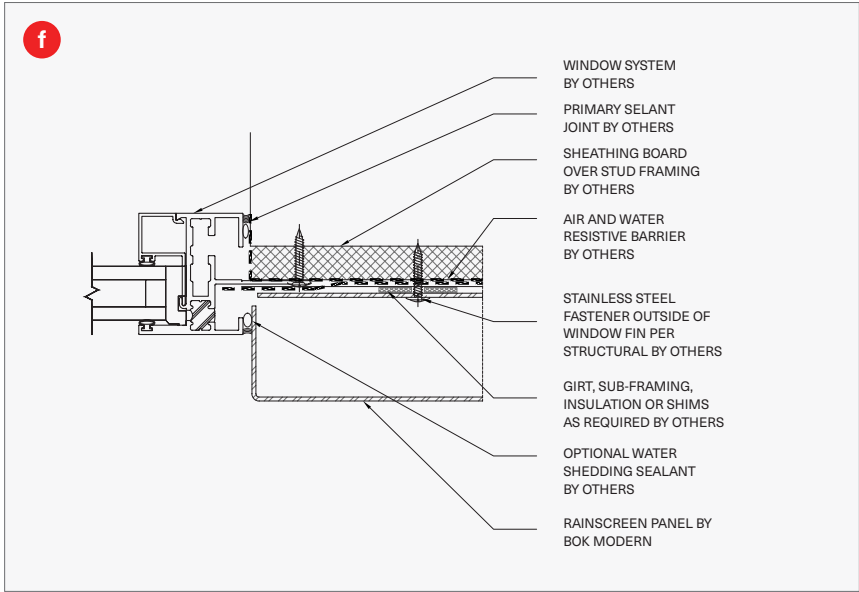
BY BOK MODERN

ENFOLDFAÇADE.COM

TYPICAL DETAILS



HORIZONTAL JOINT



PANEL AT JAMB

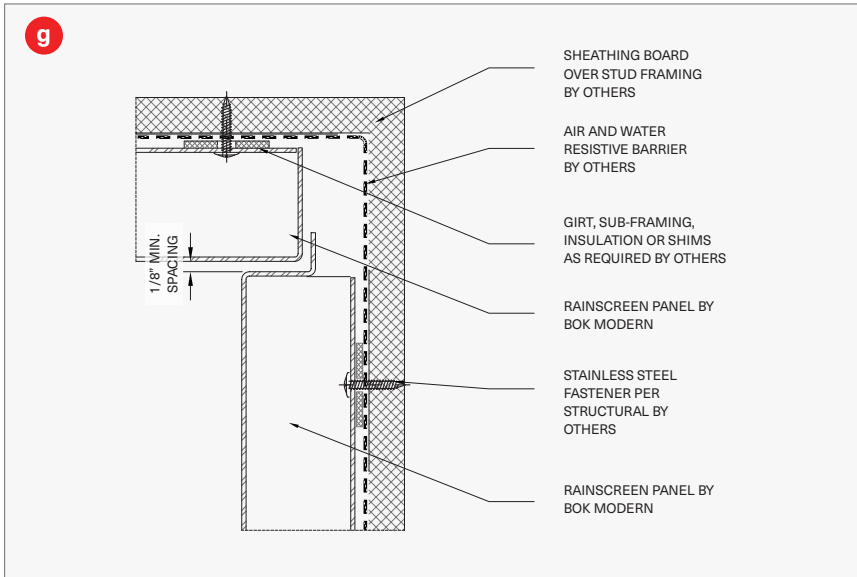
RAINSCREEN

- Introduction
- 2D Patterns
- 3D Patterns
- Pre Engineered Sizing
- Installation Examples
- Installation Methods
- **Typical Details**

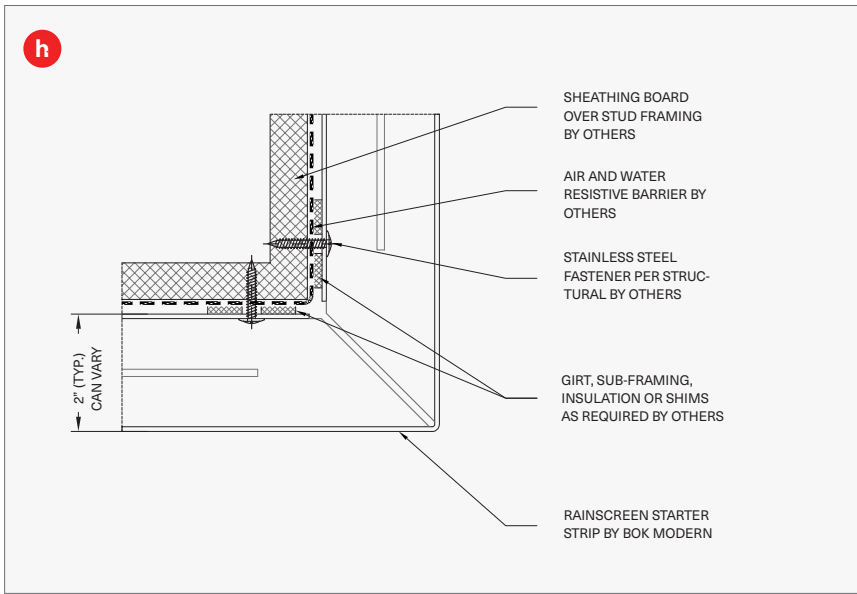
BY BOK MODERN

ENFOLDFAÇADE.COM

TYPICAL DETAILS



INSIDE CORNER



FOLDED CORNER

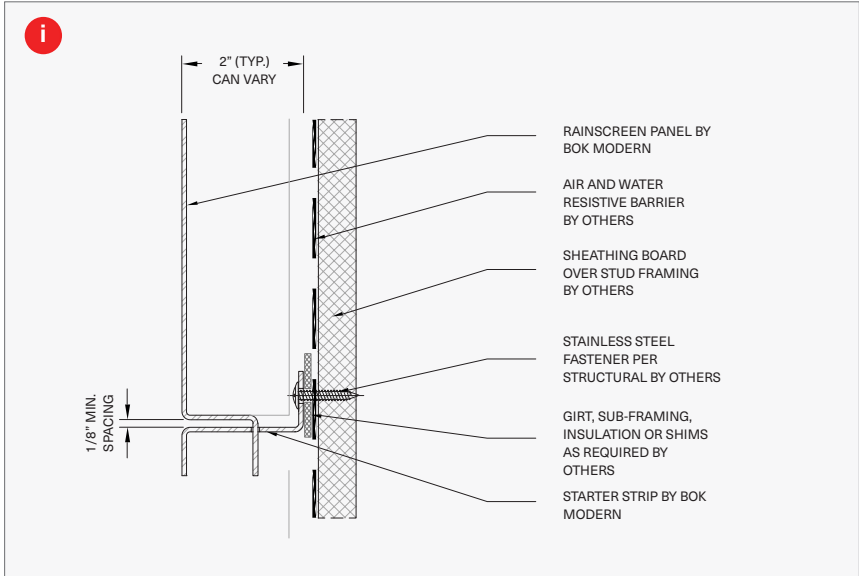
RAINSCREEN

- Introduction
- 2D Patterns
- 3D Patterns
- Pre Engineered Sizing
- Installation Examples
- Installation Methods
- **Typical Details**

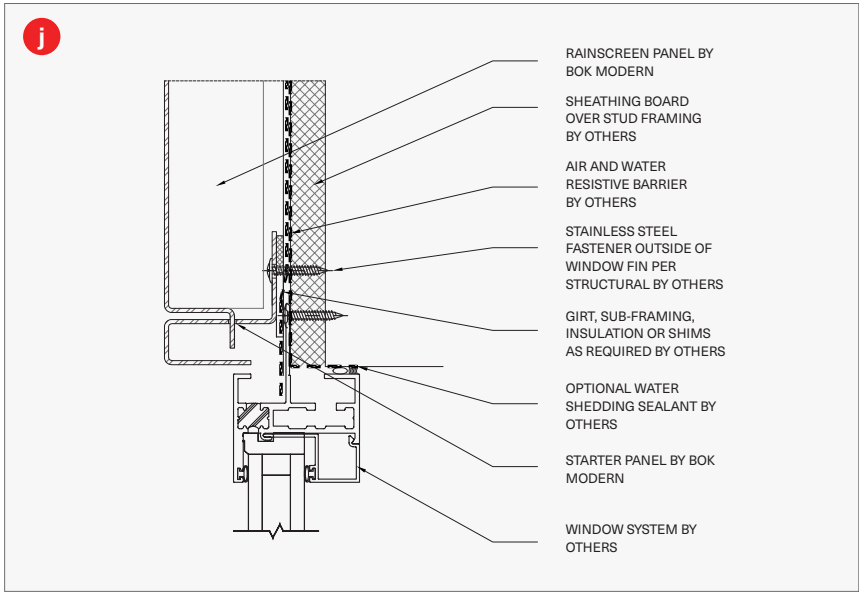
BY BOK MODERN

ENFOLDFACADE.COM

TYPICAL DETAILS



PANEL AT STARTER STRIP



PANEL AT HEAD

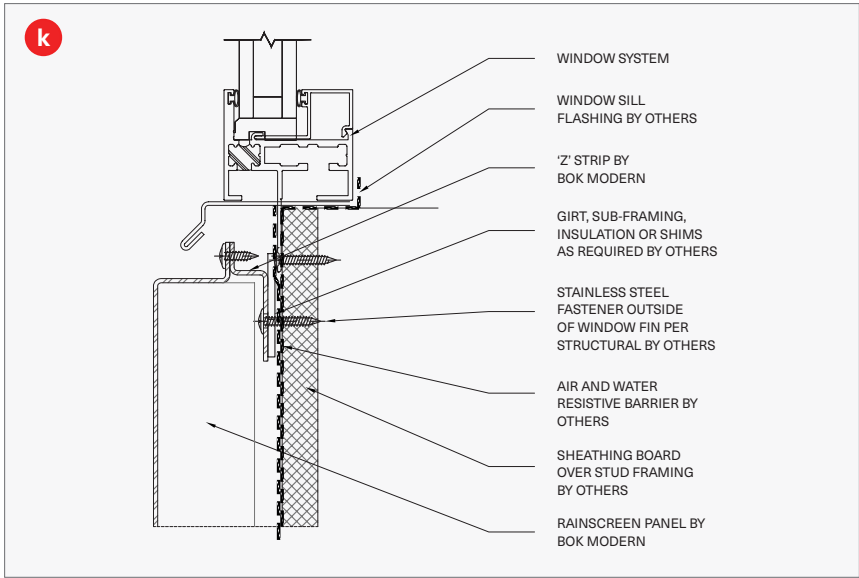
RAINSCREEN

- Introduction
- 2D Patterns
- 3D Patterns
- Pre Engineered Sizing
- Installation Examples
- Installation Methods
- **Typical Details**

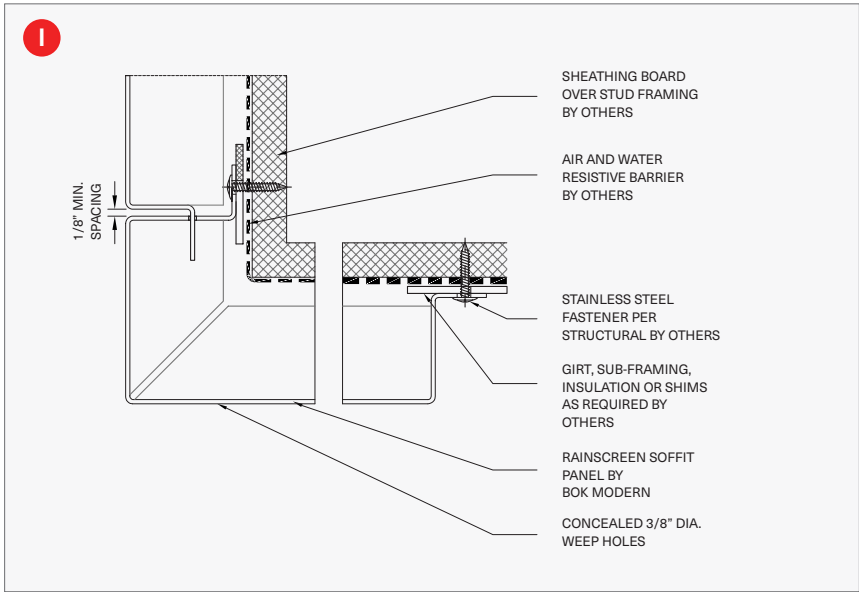
BY BOK MODERN

ENFOLDFAÇADE.COM

TYPICAL DETAILS



PANEL AT SILL



SOFFIT CONDITION